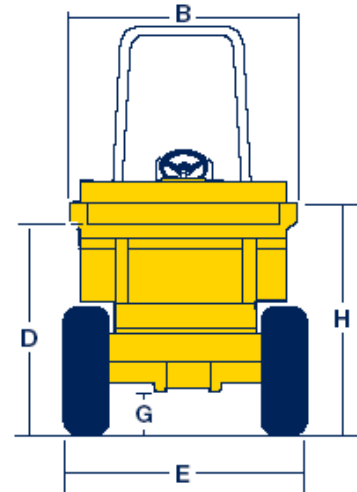
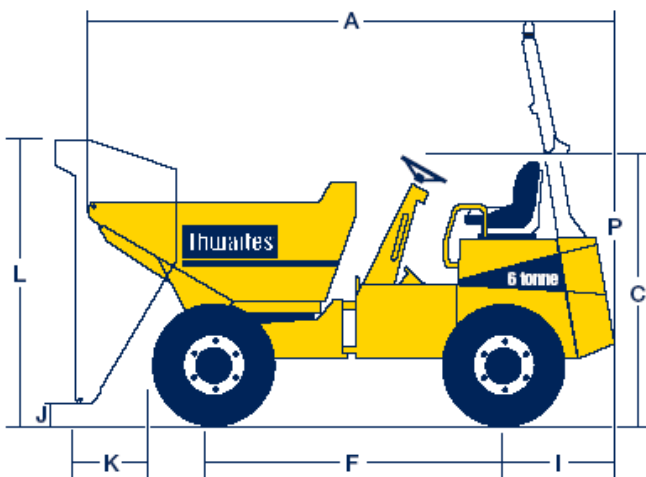


THWAITES 6 TONNE DUMPER



DIMENSIONS	
mm	
A	4410
B	2354
C	2230
D	1610
E	2240
F	2480
G	370
H	1740
I	1167
J	340
K	520
L	2505
M	2230
P	3390

CAPACITIES	
Max.safe load	6000 kg
Heaped	3400 litres
Struck	2525 litres
Water	1925 litres
Unladen Weight	4155 kg
SPEEDS - FORWARD & REVERSE	
1	2.9 mph
2	4.8 mph
3	9.0 mph
4	16.5 mph
TYRE PRESSURES	
FRONT	3.5 Bar 50.8 PSI
REAR	2.69 Bar 39 PSI
NOISE LEVELS	
Operators ear	84 LpA
Airborne sound power	106 LwA

KEY FEATURES

- ◆ Thwaites Kinglink chassis provides superior stability and traction for rough terrain.
- ◆ Hydraulic priority power steering.
- ◆ Hydraulically operated skip with 6mm steel base plate and reinforced sides to minimise skip damage.
- ◆ Front tip.
- ◆ 4 X 4 drive.
- ◆ Adjustable suspension seat, accessible from both sides.
- ◆ Super bright warning lights for all critical functions.



CALL **VHS** PLANT HIRE on 0121 360 4161

