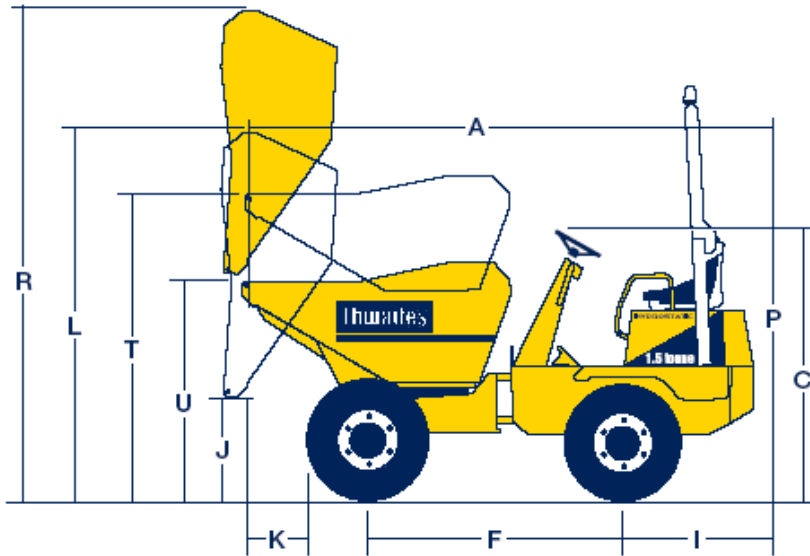
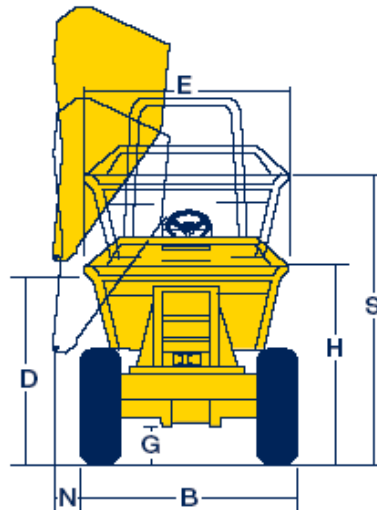


THWAITES 1.5 TONNE HI-TIP SWIVEL DUMPER



| DIMENSIONS | |
|------------|------|
| mm | |
| A | 3623 |
| B | 1469 |
| C | 1860 |
| D | 1380 |
| E | 1382 |
| F | 1850 |
| G | 245 |
| H | 1430 |
| I | 984 |
| J | 1060 |
| K | 400 |
| L | 2773 |
| M | 1844 |
| N | 230 |
| P | 2960 |
| R | 3395 |
| S | 2030 |
| T | 1995 |
| U | 1680 |

| CAPACITIES | |
|----------------------------|----------------|
| Max.safe load | 1500 kg |
| Heaped | 890 litres |
| Struck | 635 litres |
| Water | 580 litres |
| Unladen Weight | 2035 kg |
| SPEEDS - FORWARD & REVERSE | |
| Low | 5.3 mph |
| High | 13.7 mph |
| TYRE PRESSURES | |
| FRONT | 3.5 Bar 51 PSI |
| REAR | 2.3 Bar 33 PSI |
| NOISE LEVELS | |
| Operators ear | 84 LpA |
| Airborne sound power | 104 LwA |



KEY FEATURES

- ◆ Thwaites Kinglink chassis provides stability and traction for improved safety on site.
- ◆ Hydraulic priority power steering.
- ◆ Hydraulically operated skip with 4mm steel base plate and reinforced sides to minimise skip damage.
- ◆ Swivel tip and variable tipping height by means of a scissor lift.
- ◆ 4 X 4 drive.
- ◆ Adjustable suspension seat, accessible from both sides.
- ◆ Super bright warning lights for all critical functions.
- ◆ Audible warning device at keystart "on" position.



CALL **VHS** PLANT HIRE on 0121 360 4161

