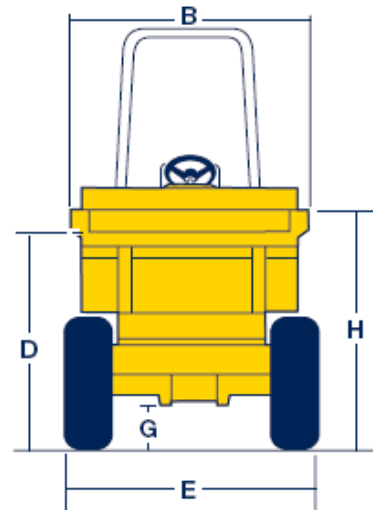
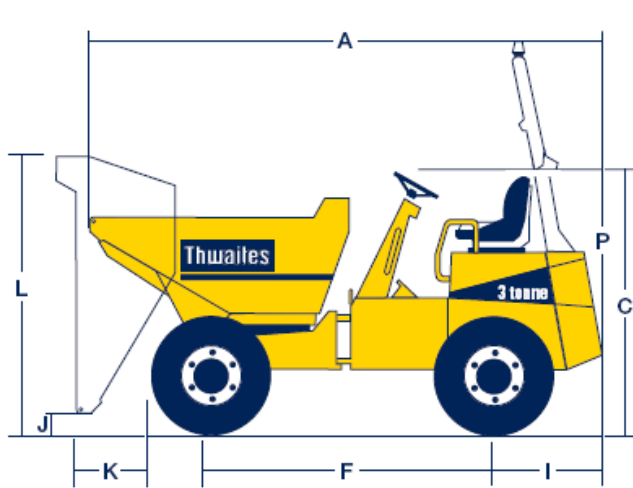


THWAITES 3 TONNE FORWARD TIP DUMPER



DIMENSIONS	
mm	
A	3848
B	1930
C	2013
D	1447
E	1857
F	1930
G	280
H	1470
I	1130
J	205
K	620
L	2130
M	2120
P	3140

CAPACITIES	
Max. safe load	3000 kg
Heaped	1960 litres
Struck	1450 litres
Water	1260 litres
Unladen Weight	2175 kg
SPEEDS	
1	2.4 mph
2	5.6 mph
3	10.5 mph
Reverse	2.75 mph
TYRE PRESSURES	
FRONT	3.4 Bar 49 PSI
REAR	2.0 Bar 29 PSI
NOISE LEVELS	
Operators ear	84 LpA
Airborne sound power	102 LwA

KEY FEATURES

- ◆ Thwaites Kinglink chassis provides superior stability and traction for rough terrain.
- ◆ Hydraulic power steering.
- ◆ Hydraulically operated front tip skip with 5mm steel base plate and reinforced sides to minimise skip damage.
- ◆ 4 X 4 drive.
- ◆ Folding ROPS bar.
- ◆ Adjustable suspension seat, accessible from both sides.
- ◆ Super bright warning lights for all critical functions.
- ◆ Audible warning device at keystack "on" position.



CALL



PLANT HIRE on 0121 360 4161

