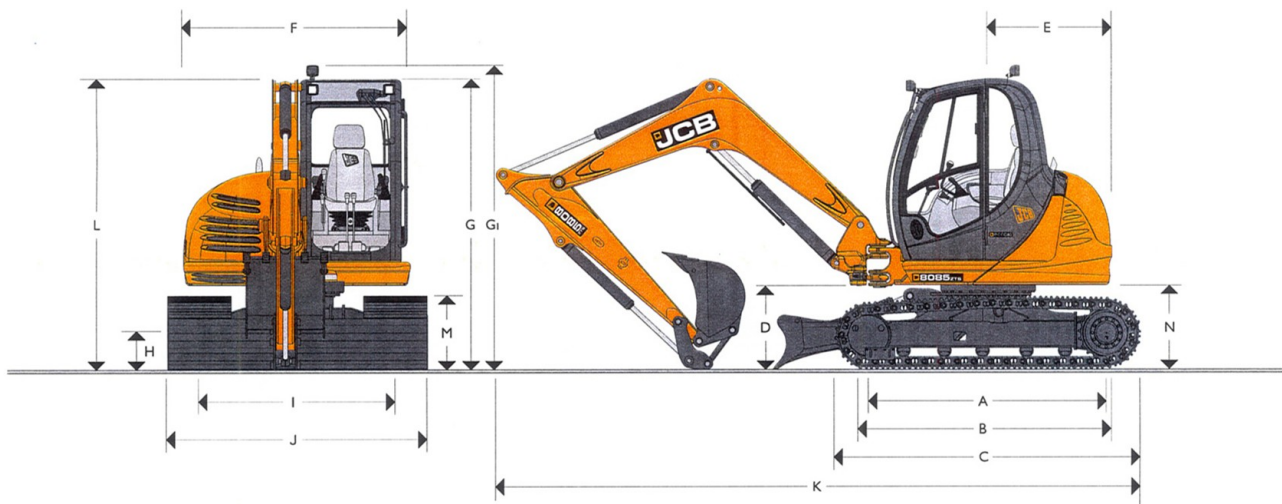
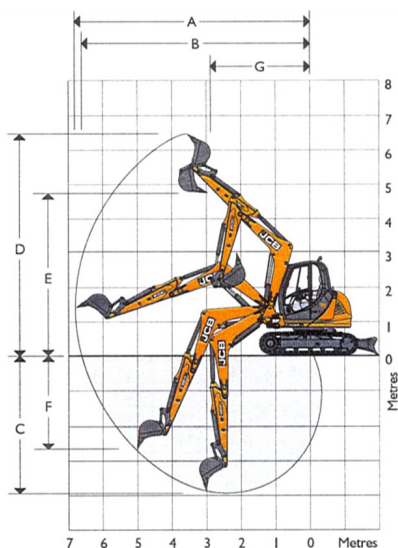


JCB 8 TONNE MIDI EXCAVATOR 8085ZTS



STATIC DIMENSIONS

		mm	ft-in			mm	ft-in
B	Track length on ground	2200	7'3"	H	Ground clearance	363	1'2"
C	Undercarriage overall length	2830	9'3"	I	Track gauge	1850	6'1"
D	Kingpost clearance	741	2'5"	J	Width over tracks (450mm shoes)	2300	7'7"
E	Tailswing radius	1160	3'10"	K	Transport length with standard dipper	6060	19'11"
F	Overall width of superstructure	2135	7'0"	L	Transport height with standard dipper	2840	9'4"
G	Height over cab	2719	8'11"	M	Track height	665	2'2"
G1	Height over cab worklights	2830	9'3"		Operating Weight	8026kg	17694lbs



WORKING RANGE

Standard Boom 2m Dipper		mm	ft-in
A	Max digging reach	6887	22'7"
B	Max digging reach on ground	6729	22'1"
C	Max digging depth—dozer down	4345	14'3"
D	Max digging height	6312	20'9"
E	Max dumping height	4580	15'0"
F	Max. vertical wallcut depth	2668	8'9"
G	Min. Front swing radius (no offset)	2862	9'5"
		kN	lbf
Dipper tearout		36	8093
Bucket Tearout		50	11240
Bucket rotation		197deg	

- ◆ KINGPOST DESIGN
- ◆ ZERO TAIL SWING
- ◆ DOZER BLADE
- ◆ FULLY GLAZED CAB
- ◆ R.O.P.S. & T.O.P.S. CERTIFIED
- ◆ AIR CONDITIONING FOR OPERATOR COMFORT
- ◆ SEAT BELT FITTED AS STANDARD
- ◆ PIPED FOR AUXILIARY HYDRAULIC ATTACHMENT
- ◆ CAB GUARDS
- ◆ RADIO/CASSETTE
- ◆ RUBBER TRACKS—2 SPEED TRACK MOTORS
- ◆ **NEW TWINLOCK FULLY HYDRAULIC QUICK HITCH**

ADVANCED MANAGEMENT SYSTEM (AMS):

- ◇ Graphical display of fuel level, water and oil temperatures.
- ◇ Audio-visual warnings and function selection.
- ◇ Controls work/digging modes to minimise fuel consumption.
- ◇ One touch idle facility.

◆ LOAD SENSED HYDRAULIC SYSTEM:

- ◇ Matches flow and pressure as required, maximising performance and saving fuel.
- ◇ Anti-stall function so the engine will not cut out.