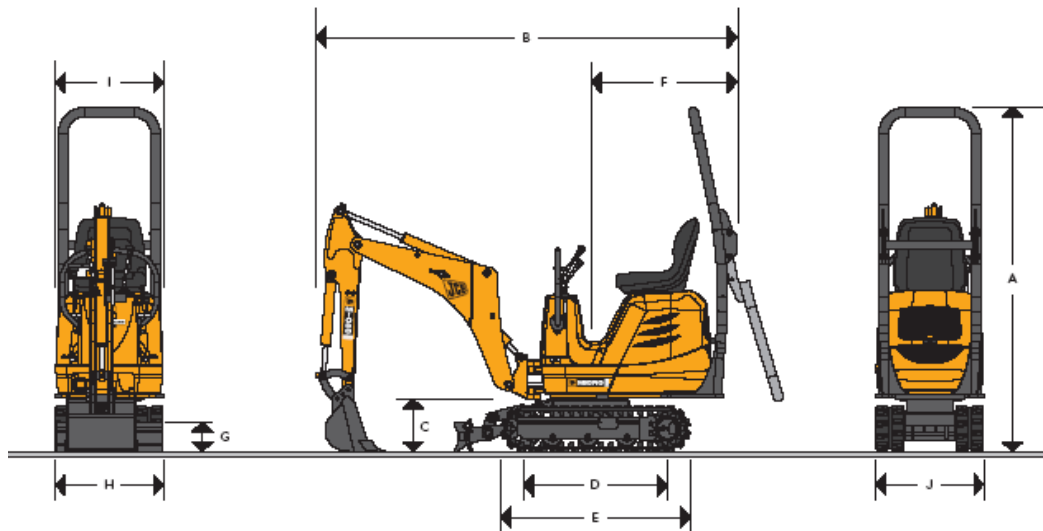
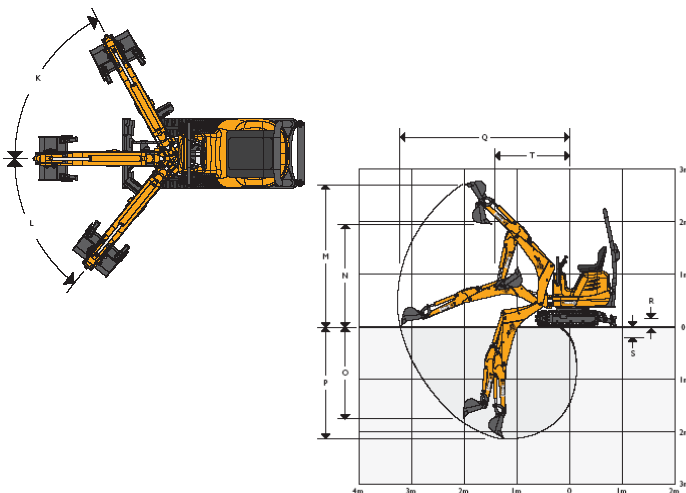


JCB MICRO EXCAVATOR



PERFORMANCE & DIMENSIONS

		mm	ft-in			mm	ft-in
	Dipper	950	3'1"		Dozer width (extended)	1000	3'3"
A	Overall height (transport pos.)	2295	7'6"	I	Superstructure width	695	2'2"
B	Overall length (transport pos.)	3000	9'8"	J	Width over tracks (retracted)	700	2'3"
C	Kingpost clearance	345	1'1"		Width over tracks (extended)	1000	3'3"
D	Sprocket Idler centres	930	3'1"		Max bucket tearout	10.8 kN	2427 lbf
E	Undercarriage length	1230	4'0"		Max Dipper tearout	7.02 kN	1578 lbf
F	Tailswing	900	2'9"		Travel speeds 1st Gear	2 kph	1.2 mph
G	Dozer height	200	7'		Drawbar pull	9 kN	2023 lbf
H	Dozer width (retracted)	700	2'3"		Slew speed	8 rpm	-
					Operating Weight	1138 kg	2509 lbs



BOOM SWING RADIUS & WORKING RANGE

K	Boom swing right	70 degrees
L	Boom swing left	70 degrees
M	Max dig height	2700mm
N	Max dump height	1895mm
O	Max vertical dig depth	1763mm
P	Max dig depth - dozer up Max dig depth - dozer down	1882mm 2092mm
Q	Max ground level reach	3190mm
	Bucket rotation	201 degrees
R	Dozer cut above ground	156mm
S	Dozer cut below ground	169mm
T	Min slew radius	1110mm

KEY FEATURES

- ◆ Small enough to fit through a standard 2'6" doorway—can be used inside buildings.
- ◆ Extending undercarriage extends from 700mm to 1000mm giving excellent stability.
- ◆ Certified folding ROPS/TOPS frame.
- ◆ Seat belt fitted as standard.
- ◆ Control isolator lever fitted as standard.
- ◆ All functions use a separate lever, making the controls easy to understand.
- ◆ ISO pattern controls.