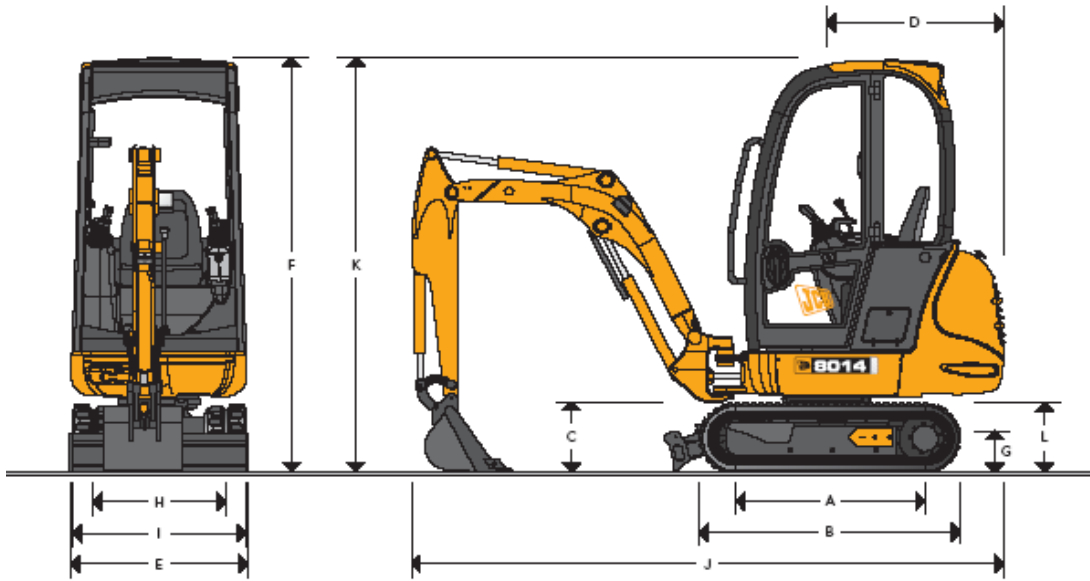
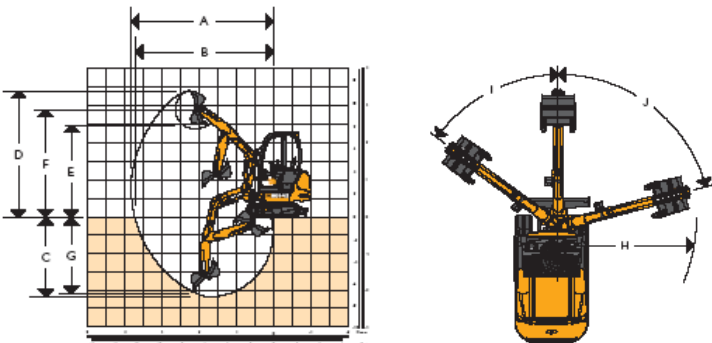


JCB 8014 1.5 TONNE MINI EXCAVATOR



STATIC DIMENSIONS

		mm	ft-in			mm	ft-in
A	Sprocket idler centres	1027	3'4"	G	Ground clearance	158	6"
B	Undercarriage overall length	1384	4'7"	H	Track gauge	742	2'5"
C	Kingpost clearance	376	1'3"	I	Width over tracks	972	3'2"
D	Tailswing radius	1028	3'4 1/2"	J	Transport length	3346	10'11 3/4"
E	Overall width of superstructure	980	3'2 1/2"	K	Transport height without FOGS guard	2304	7'6 1/2"
F	Height over cab	2318	7'7"	L	Track height	366	1'2"



WORKING RANGE

	Dipper length	1161mm
A	Max. digging reach	3837mm
B	Max. digging reach on ground	3764mm
C	Max. digging depth - dozer up	2044mm
	Max. digging depth - dozer down	2357mm
D	Max. digging height	3393mm
E	Max. dump height	2501mm
F	Max height to dipper nose pivot pin	2921mm
G	Max. vertical wallcut depth	1659mm
H	Min. front swing radius (no offset)	1641mm
	Min. front swing radius (fully offset)	1457mm
I	Boom swing left	55 degrees
J	Boom swing right	75 degrees
	Bucket rotation	198 degrees
	Dipper rotation	112 degrees
	Bucket tearout	13.5 kN
	Dipper tearout	8kN
	Slew speed	10rpm
	Operating Weight	1564 kg

KEY FEATURES

- ◆ Dozer blade
- ◆ Rubber tracks
- ◆ Cab guards available
- ◆ R.O.P.S. & T.O.P.S. certified canopy
- ◆ Fully glazed spacious cab with heater
- ◆ All-round visibility
- ◆ Cab unit mounting is designed to reduce noise and vibration levels within the cab to 76dB(A).
- ◆ New tilting cab design for easier maintenance access.
- ◆ Piped for auxiliary hydraulic attachment.



CALL **VHS** PLANT HIRE on 0121 360 4161

