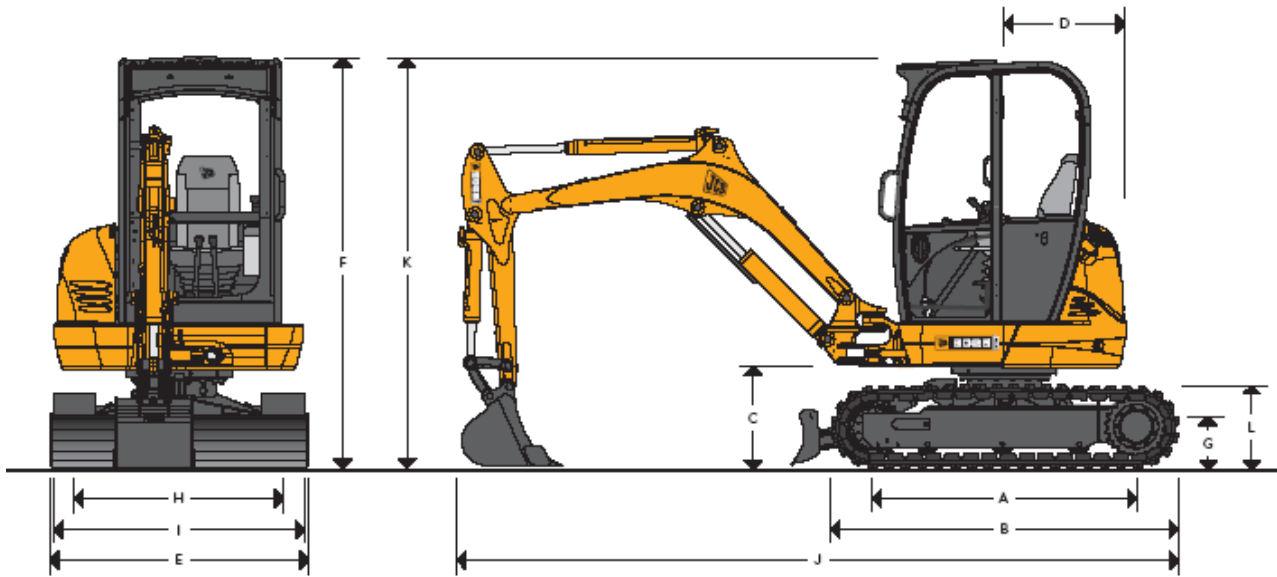
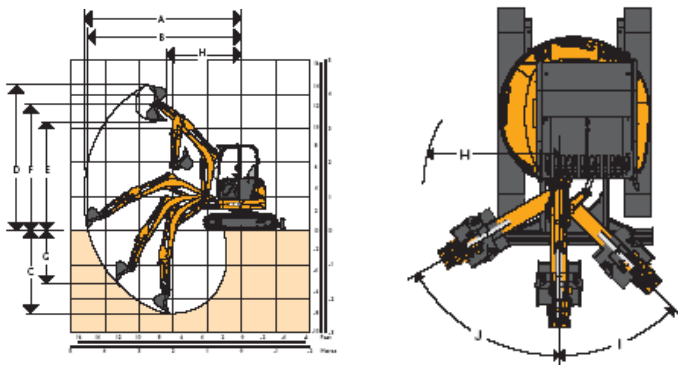


JCB 8025ZTS 2.5 TONNE MINI EXCAVATOR



STATIC DIMENSIONS

		mm	ft-in			mm	ft-in
A	Sprocket idler centres	1440	4'8 3/4"	G	Ground clearance	300	12"
B	Undercarriage overall length	1895	6'2 1/2"	H	Track gauge	1252	5'1 1/4"
C	Kingpost clearance	615	2'0 1/4"	I	Width over tracks	1502	4'11"
D	Tailswing radius	750	3'5 1/2"	J	Transport length	4280	14'0 1/2"
E	Overall width of superstructure	1550	5'1"	K	Transport height	2470	8'1 1/4"
F	Height over cab	2470	8'1 1/4"	L	Track height	455	1'6"



WORKING RANGE

	Dipper length	1100mm
A	Max. digging reach	4828mm
B	Max. digging reach on ground	4691mm
C	Max. digging depth - dozer up	2580mm
	Max. digging depth - dozer down	2832mm
D	Max. digging height	4333mm
E	Max. dump height	3158mm
F	Max height to dipper nose pivot pin	3700mm
G	Max. vertical wallcut depth	1542mm
H	Min. front swing radius (no offset)	2125mm
	Min. front swing radius (fully offset)	1912mm
I	Boom swing left	45 degrees
J	Boom swing right	60 degrees
	Bucket rotation	189 degrees
	Dipper rotation	118.5 degrees
	Bucket tearout	24kN
	Dipper tearout	15kN
	Slew speed	9.6rpm
	Operating Weight	2685kg

KEY FEATURES

- ◆ Dozer blade
- ◆ Rubber tracks
- ◆ Cab guards available
- ◆ R.O.P.S. & T.O.P.S. certified canopy
- ◆ Fully glazed spacious cab with heater
- ◆ All-round visibility
- ◆ Zero Tail Swing
- ◆ Cab unit mounting is designed to reduce noise and vibration levels.
- ◆ Piped for auxiliary hydraulic attachment.



CALL



PLANT HIRE on 0121 360 4161

