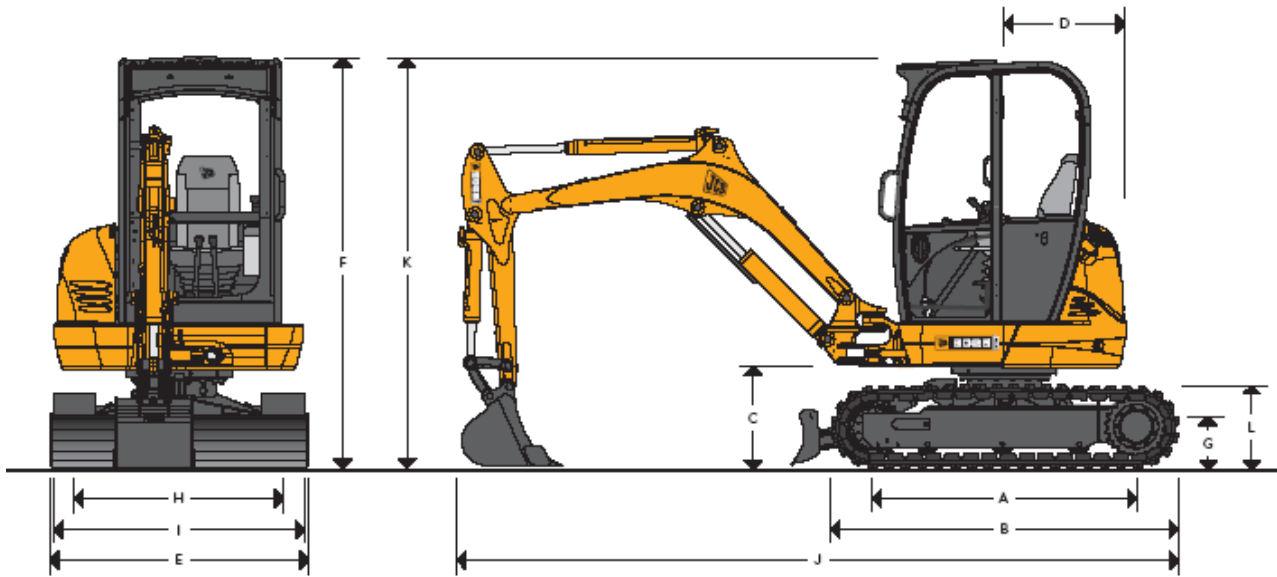
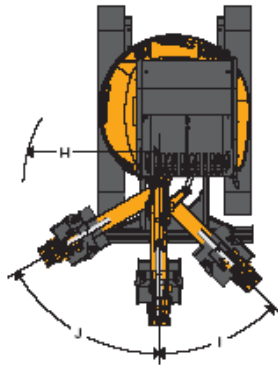
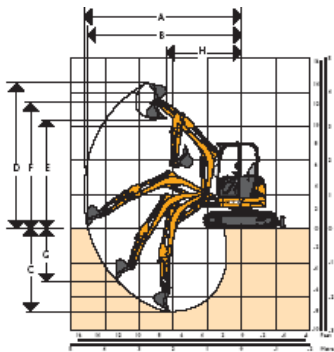


JCB 8030ZTS 3 TONNE MINI EXCAVATOR



STATIC DIMENSIONS

		mm	ft-in			mm	ft-in
A	Sprocket idler centres	1597	5'3"	G	Ground clearance	300	12"
B	Undercarriage overall length	2052	6'8 1/4"	H	Track gauge	1252	5'1 1/4"
C	Kingpost clearance	615	2'0 1/4"	I	Width over tracks	1650	5'5"
D	Tailswing radius	800	3'7 1/2"	J	Transport length	4287	14'0 3/4"
E	Overall width of superstructure	1650	5'5"	K	Transport height	2470	8'1 1/4"
F	Height over cab	2470	8'1 1/4"	L	Track height	500	1'7 1/2"



WORKING RANGE

	Dipper length	1300mm
A	Max. digging reach	5031mm
B	Max. digging reach on ground	4901mm
C	Max. digging depth - dozer up	2794mm
	Max. digging depth - dozer down	3119mm
D	Max. digging height	4453mm
E	Max. dump height	3205mm
F	Max height to dipper nose pivot pin	3808mm
G	Max. vertical wallcut depth	1741mm
H	Min. front swing radius (no offset)	2150mm
	Min. front swing radius (fully offset)	2010mm
I	Boom swing left	45 degrees
J	Boom swing right	60 degrees
	Bucket rotation	189 degrees
	Dipper rotation	119 degrees
	Bucket tearout	28kN
	Dipper tearout	17kN
	Slew speed	9.6rpm
	Operating Weight	3217kg

KEY FEATURES

- ◆ Dozer blade
- ◆ Rubber tracks
- ◆ Cab guards available
- ◆ R.O.P.S. & T.O.P.S. certified canopy
- ◆ Fully glazed spacious cab with heater
- ◆ All-round visibility
- ◆ Cab unit mounting is designed to reduce noise and vibration levels.
- ◆ Zero Tail Swing
- ◆ Piped for auxiliary hydraulic attachment.



CALL



PLANT HIRE on 0121 360 4161

